

EASY Averaging Beam

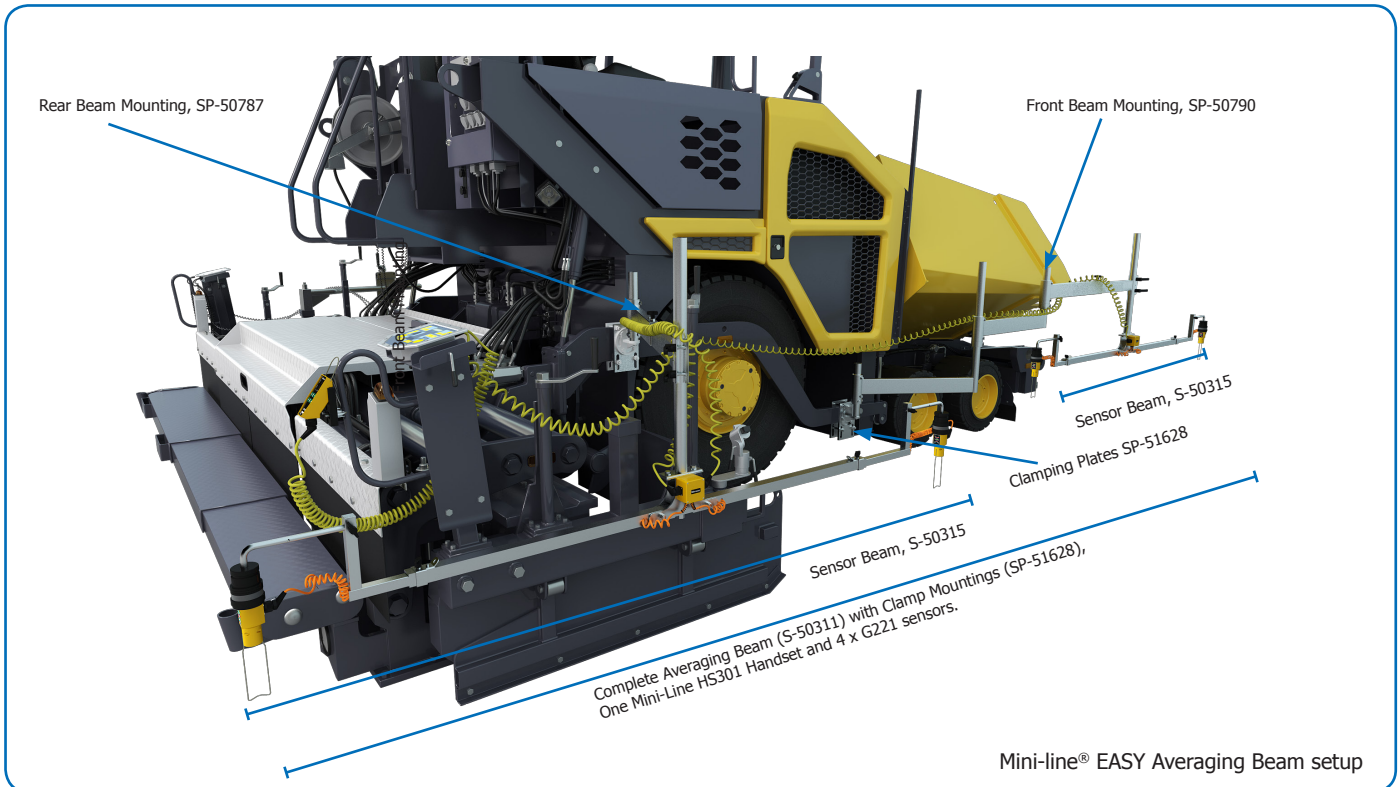
Mini-Line®

The EASY Averaging Beam is able to average out the deviations of the existing pavement surface thereby obtaining a smoother mat. It is designed to feature four sensors that take individual measurements across the entire length of the asphalt paver, and the average of these measurements constitutes the base of grade regulation. Rough spots in the existing foundation, which would normally affect the quality of the new road, are effectively smoothed out.

Its main part consists of two horizontal Sensor Beams fully-fitted with Snap Connectors, Connector Boxes and cabling integrated into the beams. The two beams are easily mounted with the corresponding rear beam and front beam mountings.

The split beam setup ensures the EASY Averaging Beam fits any paver, and makes it very easy to install. The Sensor Beams are telescopic and foldable, which makes them easy to transport, as they fit in the trunk of a normal car.

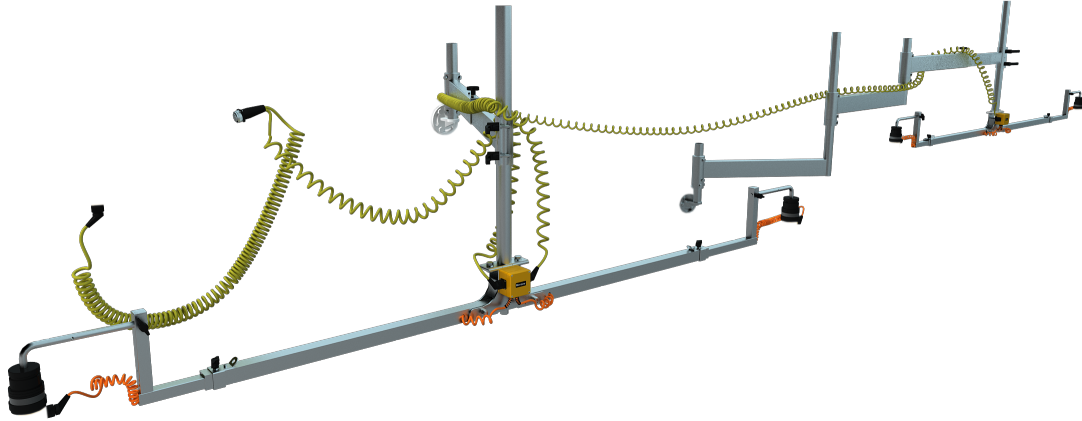
EASY Averaging Beam Specifications	
Part Number	S-50311
Application	Grade control Non contact ground sensing
Maximum Total Length	9-11m / 29.5-36ft (depending on paver size)
Weight	78kg / 172 lbs
Storage Temperature	-40°C to 85°C / -40°F to 185°F
Operating Temperature	-10°C to 70°C / 14°F to 158°F
Type	Split Beam



EASY Averaging Beam

Mini-Line®

S-50311
Complete Mini-Line® EASY Averaging Beam

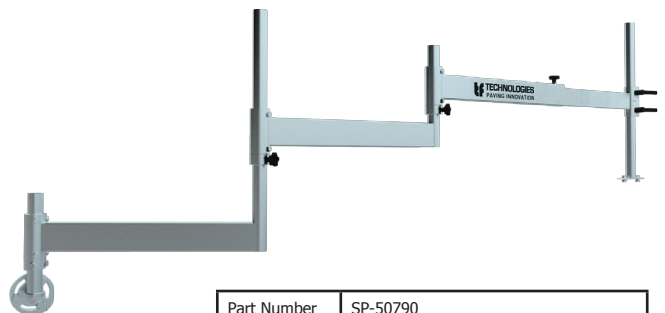


Rear Beam Mounting



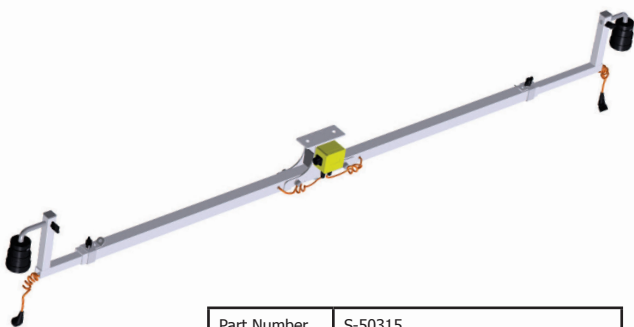
Part Number	SP-50787
Length	Up to 1.44m / 4.7ft
Weight	20.4 kg / 45lbs

Front Beam Mounting



Part Number	SP-50790
Length	Up to 3.14m / 10.3ft
Weight	44kg / 97lbs

Sensor Beam with internal cabling,
Connector Box and Snap Connectors



Part Number	S-50315
Length	Up to 4m / 13.2ft
Weight	6.8kg / 15lbs

Add-on
Clamping Plates Kit with four clamping plates with bolts.
To clamp on the Front and Rear Beam Mountings.



Part Number	SP-51628
Measure (LxWxH)	15x12.5x25cm / 6x5x9.8in
Weight	7.2kg / 15.9lbs