

Snap Connector w/Lock

Mini-Line®

The Snap Connector makes it easy to attach and detach Mini-Line® sensors and reduces installation time.

The Snap Connector has a locking mechanism that gives a firm grip on the sensor and locks it in a fixed angle, so the display can be orientated towards the operator. It also ensures that the G224 Multi-Sonic Grade Sensor can easily change position when switching between stringline and joint match mode.

The Snap Connector can be mounted with an inner mounting or an outer mounting. For the inner mounting a screw is located in the small screw hole, that has a hex key head which fits a 4mm key or a 5/32 inch key. A larger screw hole can be used with a 3/8-16 UNC (inch) screw.

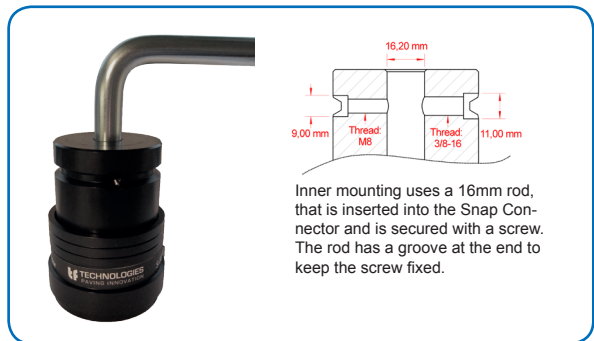
The Snap Connector can be mounted on a support arm or an Averaging Beam, attached to either the tow arm or the side plate of the screed.

The Snap Connector is made of robust materials ideal for the rough working conditions on a paver.

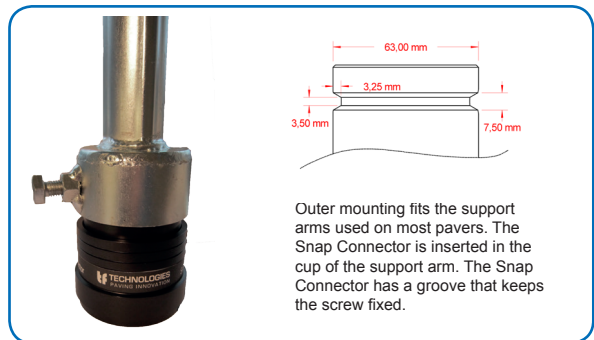


Snap Connector w/Lock Specifications	
Part Number	S-50531
Application	Mounting for Mini-Line® Grade Sensors
Compatible Sensors	G220, G221 and G224
Dimensions (ØxH)	76x100mm
Weight	0.44kg
House	Polyacetal
Storage Temperature	-40°C to 85°C
Operating Temperature	-10°C to 70°C
Mounting (set screw included)	1xM8x16 Set Screw
Mounting (set screw not included)	3/8 UNC (inch) Screw

Inner Mounting

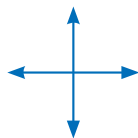


Outer Mounting

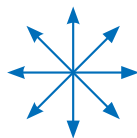


Locking Mechanism

The Snap Connector locks the Mini-Line® sensors in an optimal position for both sensor application and user operation.



G221 locks in four positions



G224 locks in eight positions

