

## Grade Support Arm

Mini-Line®

The Grade Support Arm ensures the optimal position of a grade sensor. The support arm keeps the grade sensor in a fixed position and reduces the influence of the vibrations induced by the screed.

The Grade Support Arm is easily adjusted, so the position of the grade sensor can adapt to changes on the paving site.

The Grade Support Arm comes with two mounting plates for permanent mounting. The two mounting plates makes it easy to move the Grade Support Arm from one paver to another or between the two sides of the paver.

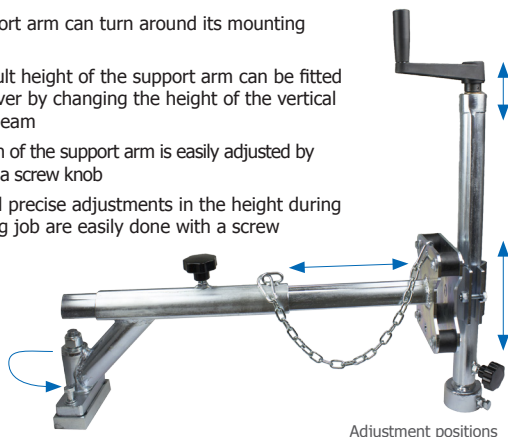


Grade Support Arm Specifications	
Part Number	S-50513
Application	Mounting of Grade Sensors
Compatible Sensors	G220, G221 and G224 using the S-50531 Mini-Line® Snap Connector
Weight	18,6kg
Material	Steel
Max length, from mounting point	95 cm
Max depth, from mounting point	60 cm
Range of precision-adjustments	25 cm (with handle)

### Adjustment

The support arm is easily adjusted to the optimal position of a grade sensor.

- The support arm can turn around its mounting points
- The default height of the support arm can be fitted to the paver by changing the height of the vertical support beam
- The length of the support arm is easily adjusted by loosening a screw knob
- Small and precise adjustments in the height during the paving job are easily done with a screw handle



### Sensor Mounting

The sensor cup on the Grade Support Arm fits an S-50531 Mini-Line® Snap Connector. The Snap Connector has a locking mechanism that gives a firm grip on the sensor and locks it in a fixed angle, so the sensor display can be orientated towards the operator.

The Snap Connector makes it easy to attach and detach Mini-Line® sensors and reduces installation time.

