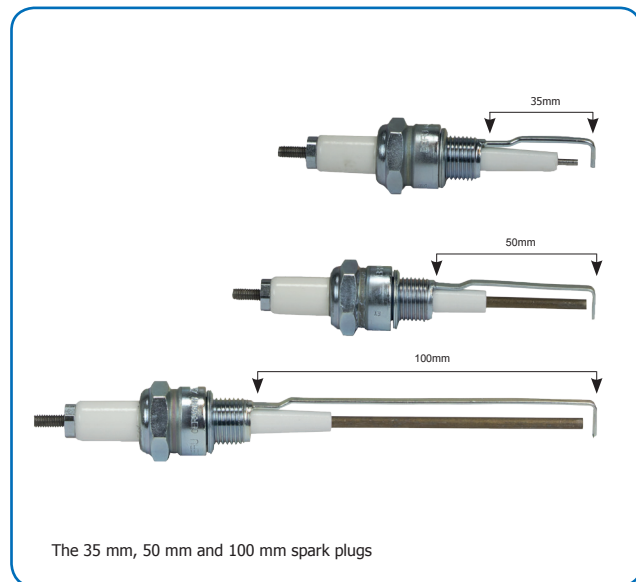


## Spark Plugs w/ earth electrode for temperature control systems

Ceramic spark plugs for temperature control systems.



Spark Plug specifications	
Part number	S-50008 (35 mm) S-50008/n (35 mm w/ nut) S-50009 (100 mm) S-50009/n (100 mm w/ nut) S-50133 (50 mm) S-50133/n (50 mm w/ nut)
Application	For temperature control systems
Thread	M14
Thread length	12.7 mm
Connection	M4 thread
Ceramic length	16.3 mm (50 mm) 23.3 mm (35 mm and 100 mm)

