

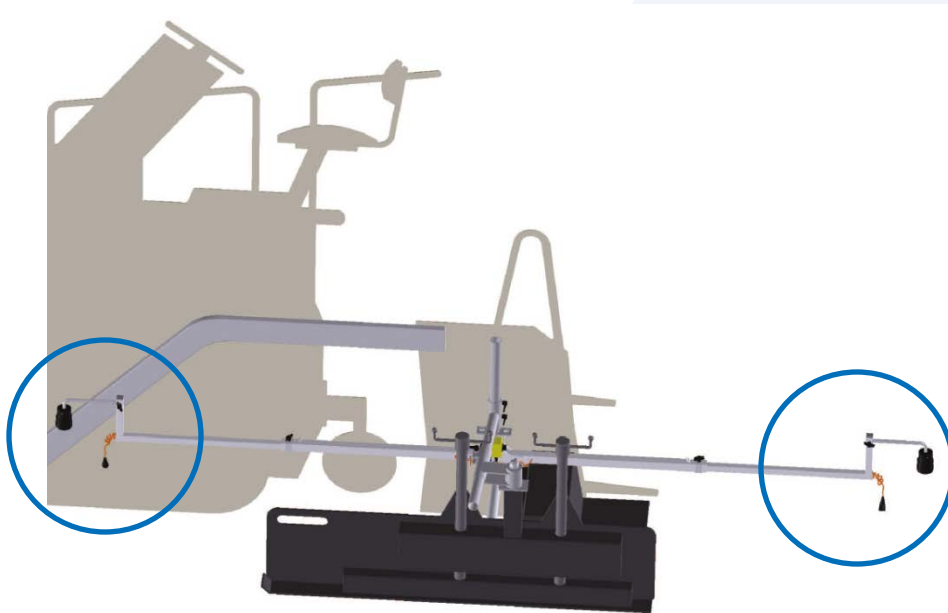
# Tip of the Day

# EASY Averaging Beam

Reverse the telescopic arms of the Sensor Beam when mounting across a high screed

## THE PROBLEM

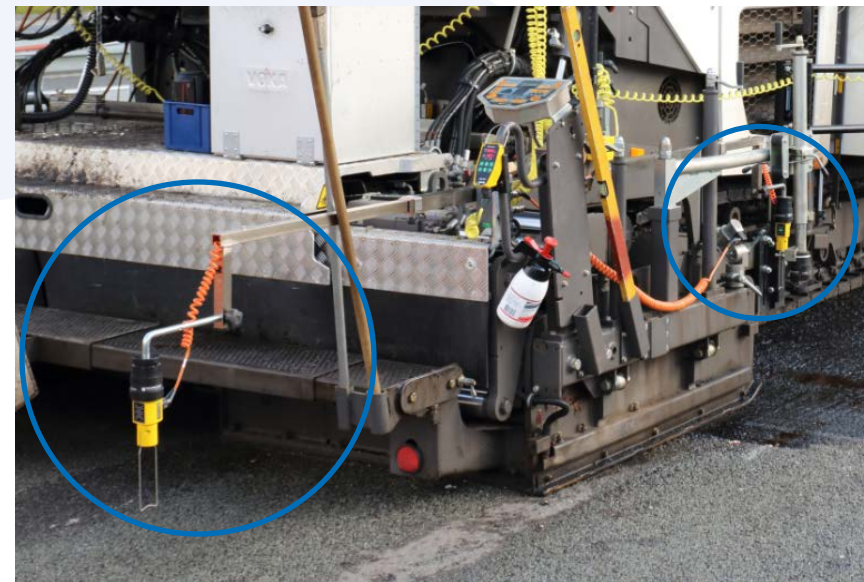
When mounting the Rear Sensor Beam over the screed, a high screed may entail that the sensors are positioned too high up, on the outskirts of the sensor range (absolute maximum working height is 900mm/35")



Sensor Beam mounted over the screed on a paver, with telescopic arms inserted the normal way

## THE SOLUTION

Simply turn the telescopic arms 180° and mount upside down. That way, the sensors come closer to the reference and the recommended working height of 400mm/16"



Telescopic arms turned 180° and mounted upside down on a Volvo paver to maintain sensors within range.